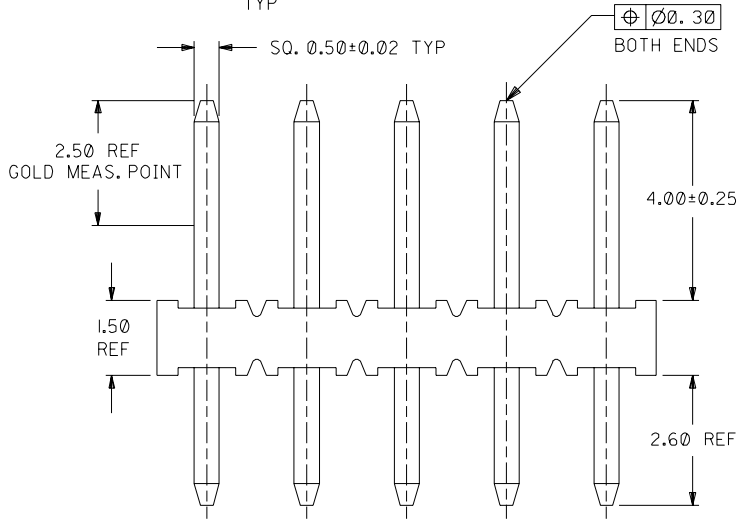
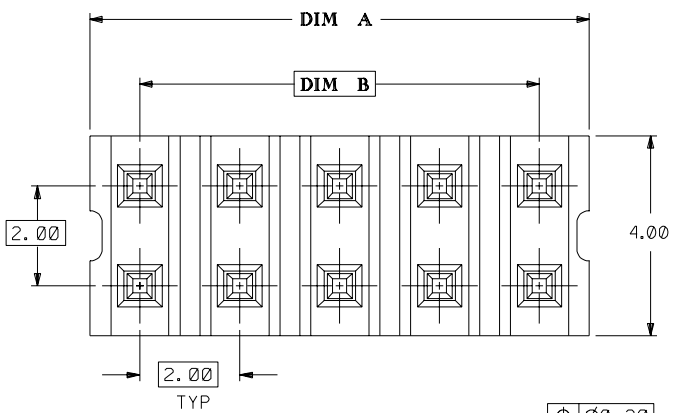


DWG. NO. SD_87089-**-**16

CAD FILE SS8708916.DGN

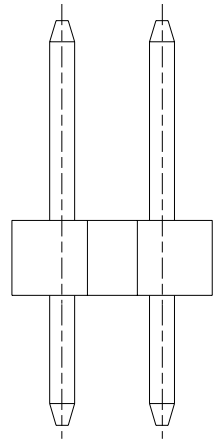
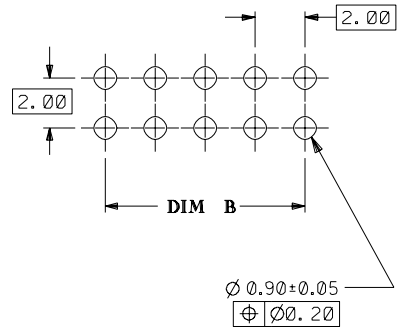
DO NOT SCALE DRAWING



PART NUMBER LEGEND

87089 - * * * *
 CKT SIZE PLATING
 16 (SEE NOTE 4)
 17

RECOMMENDED PCB PATTERN
 (SCALE 5:1)



| PART NO. | CKT SIZE | DIM A | DIM B |
|------------|----------|-------|-------|
| 87089-02** | 2 | NA | NA |
| 87089-04** | 4 | 3.90 | 2.00 |
| 87089-06** | 6 | 5.90 | 4.00 |
| 87089-08** | 8 | 7.90 | 6.00 |
| 87089-10** | 10 | 9.90 | 8.00 |
| 87089-12** | 12 | 11.90 | 10.00 |
| 87089-14** | 14 | 13.90 | 12.00 |
| 87089-16** | 16 | 15.90 | 14.00 |
| 87089-18** | 18 | 17.90 | 16.00 |
| 87089-20** | 20 | 19.90 | 18.00 |
| 87089-22** | 22 | 21.90 | 20.00 |
| 87089-24** | 24 | 23.90 | 22.00 |
| 87089-26** | 26 | 25.90 | 24.00 |
| 87089-28** | 28 | 27.90 | 26.00 |
| 87089-30** | 30 | 29.90 | 28.00 |
| 87089-32** | 32 | 31.90 | 30.00 |
| 87089-34** | 34 | 33.90 | 32.00 |
| 87089-36** | 36 | 35.90 | 34.00 |
| 87089-38** | 38 | 37.90 | 36.00 |
| 87089-40** | 40 | 39.90 | 38.00 |
| 87089-42** | 42 | 41.90 | 40.00 |
| 87089-44** | 44 | 43.90 | 42.00 |
| 87089-46** | 46 | 45.90 | 44.00 |
| 87089-48** | 48 | 47.90 | 46.00 |
| 87089-50** | 50 | 49.90 | 48.00 |

NOTES:

- 4 & 6 CKT SIZE ARE MADE BY BREAKING ASSEMBLY P/N 87089-081* AND P/N 87089-121* INTO HALVES RESPECTIVELY. BREAK-AWAY PROFILES ARE EXPECTED TO BE IRREGULAR.
- 2 CKT SIZE ARE MADE BY BREAKING LARGER ASSEMBLY P/N, THE CUT PROFILES ARE IRREGULAR AND UNDEFINED.
- 10 CIRCUIT SIZE SHOWN FOR ILLUSTRATION ONLY. SEE CHART FOR AVAILABLE PART SIZES.
- PLATING FINISH :
 16 - 0.38um/15uin MIN. GOLD SELECTIVE AREA
 1.90um/75uin MIN. TIN/LEAD IN SELECTED AREA OVER
 1.27um/50uin MIN. NICKEL OVERALL
 17 - 0.76um/30uin MIN. GOLD SELECTIVE AREA
 1.90um/75uin MIN. TIN/LEAD IN SELECTED AREA OVER
 1.27um/50uin MIN. NICKEL OVERALL
- PRODUCT SPECIFICATION PS-87049 APPLIES
- RECOMMENDED PC BOARD THICKNESS IS 1.60 ± 0.10mm. mm

| | | |
|-----|----|----|
| SHT | 1 | 2 |
| REV | E3 | E3 |

| | | | | | | | |
|--|--|--|--|--|------------------|--|--|
| | | | | MATERIAL : 30% G.F. NYLON 46, 94V-0 ,COLOR-BLACK | | MOLEX SINGAPORE PTE LTD SHEET 1 OF 2 | |
| | | | | PIN: 0.50mm SQ. PHOSPHOR BRONZE 510 | | | |
| E3 ADD T/R OPT. (SHT 2) AS PER 97-01-0142 FOR MOLEX INC. | | | | S70422 | SEE | 970224 | GENERAL TOLERANCES ± 0.20/0.008 DWG. NO.: SD187089-**-16 TITLE : "MILLI-GRID" 2mm DUAL ROW VERTICAL HEADER |
| E2 ADD 2 CKT SIZE | | | | S60168 | SEE GMS 950929 | SEE NOTE 3 | |
| E1 REVISED HOUSING MAT'L | | | | S40030 | JACK LING 930814 | | |
| LTR REVISION RECORD | | | | ECN | DR | DATE | DRAWN BY SUSAN KOH 890801 APPR'D BY R. WONG 890803 |
| REVISE ONLY ON CAD SYSTEM | | | | CHK'D BY J. KACHLIC 890802 SCALE 10 : 1 | | | |

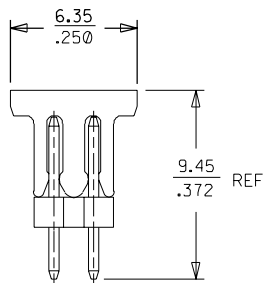
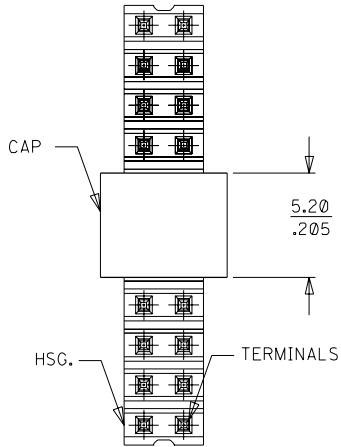
DWG. NO. SD 87089-***16

CAD FILE S08916B.DGN

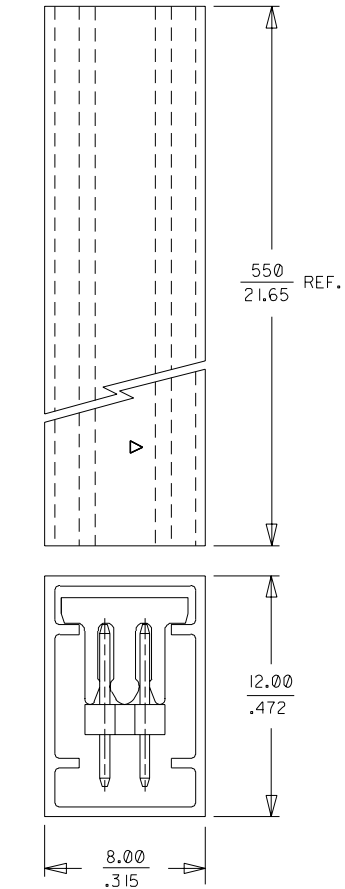
▽

DO NOT SCALE DRAWING

PART WITH CAP
(22 CKT SHOWN)
(SCALE 4:1)

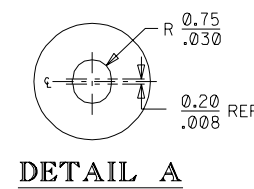
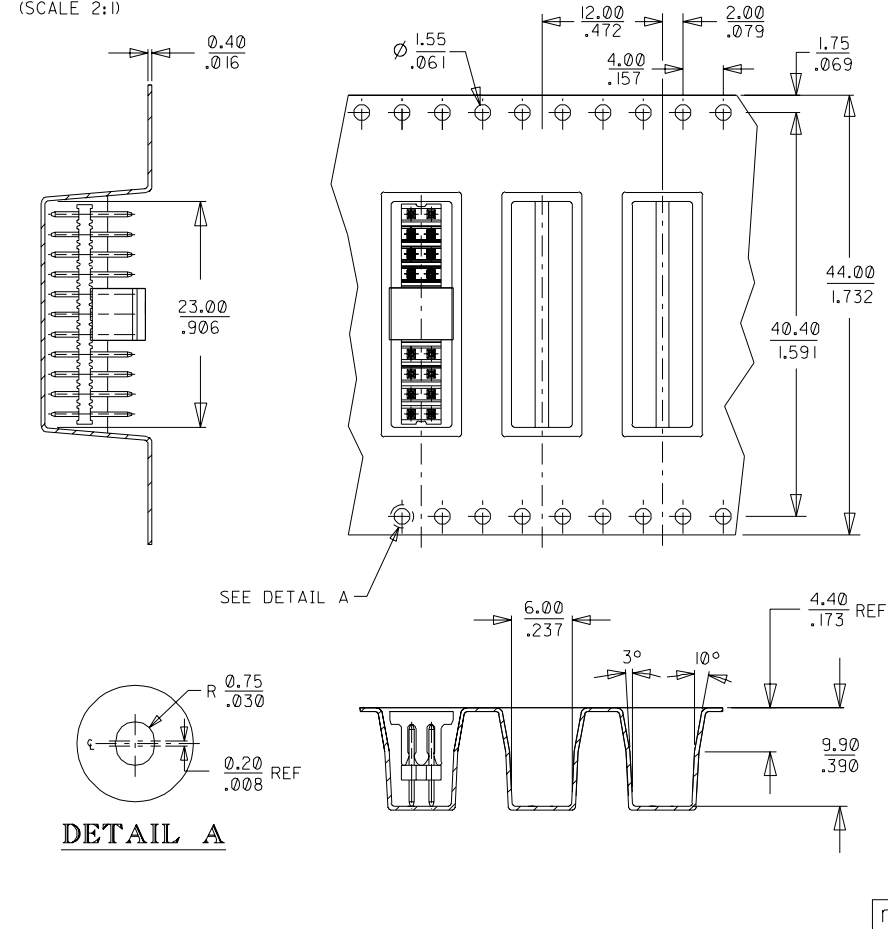


WITH CAP IN TUBE
(22 CKT SHOWN
FOR MOLEX INC.)
(SCALE 4:1)



PART NO.
WITH CAP IN TUBE
87089-5126

EMBOSSED CARRIER TAPE 'A'
(22 CKT SHOWN, FOR MOLEX INC.)
(SCALE 2:1)



PART NO.
WITH CAP IN TAPE/REEL
87089-5111

| | | | | | | | |
|--|-----------------|-----|----|---|-------------|---|----------------------------|
| | | | | MATERIAL : 30% G.F. NYLON 46, 94V-0 ,COLOR-BLACK | | MOLEX SINGAPORE PTE LTD SHEET 2 OF 2 | |
| | | | | FINISH : SEE NOTE 3 | | | |
| E3 ADD T/R OPT. (SHT 2) AS PER 97-01-0142 FOR MOLEX INC. | | | | ECN S70422 | DATE 970224 | GENERAL TOLERANCES ± 0.20/.008 REV E3 | |
| LTR | REVISION RECORD | ECN | DR | CHK | DATE | DRAWN BY SUSAN KOH 890801 | CHK'D BY J. KACHLIC 890802 |
| REVISE ONLY ON CAD SYSTEM | | | | | | APPR'D BY R. WONG 890803 | SCALE 2 : 2 |
| | | | | | | DWG. NO.: SD 87089-***16 | |
| | | | | | | TITLE : "MILLI-GRID" 2mm DUAL ROW VERTICAL HEADER | |